



odel x-ray

Odel X-ray

Serial Communication TIPS

EEN-024
Eng. to Eng.Note
2009-02

SERIAL COMMUNICATION



Connect a NULL MODEM cable on J18.

NULL MODEM DONGLE:

2X DB9 FEMALE connected as follow:

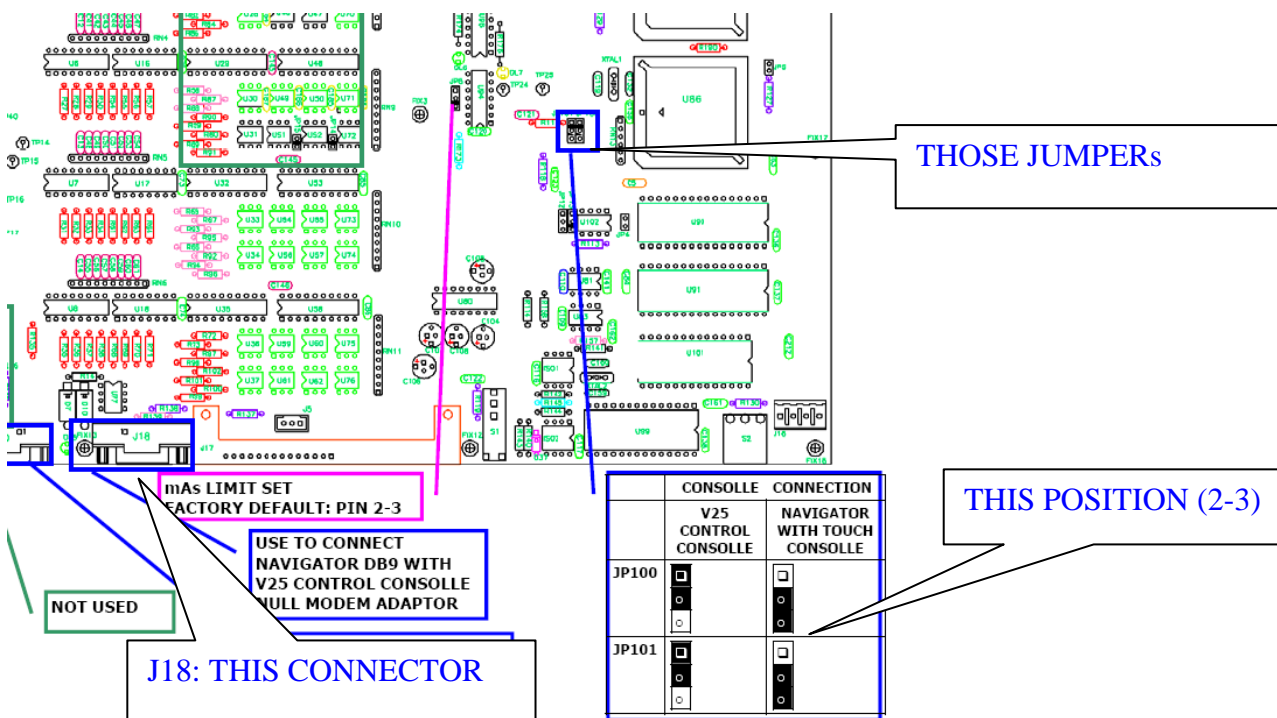
2 < --- > 3

3 < --- > 2

5 < --- > 5

Check for correct position of EIA RS232 Jumper selection:

Jumpers must be connect in front border side according to the label posted on the MPU assembly



DOCUMENTO		FOGLIO
NOMEFILE		1
Errore. Nome della proprietà del documento sconosciuto. EEN-024 SERIAL COMMUNICATION TIPS.doc		di 2



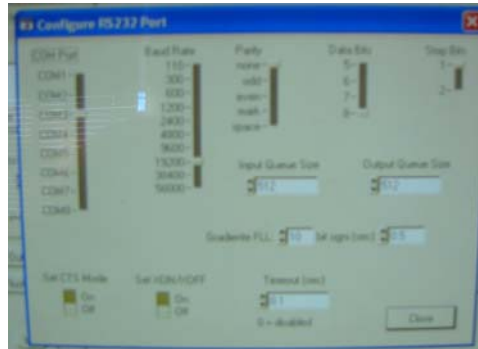
odel x-ray

Odel X-ray

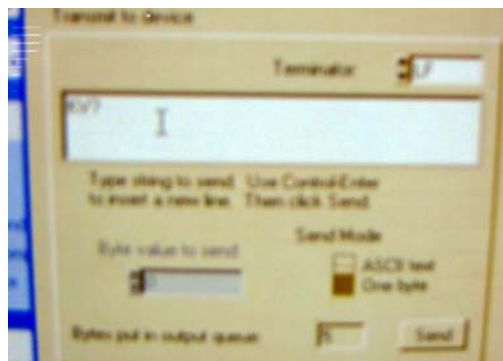
Serial Communication TIPS

EEN-024
Eng. to Eng.Note
2009-02

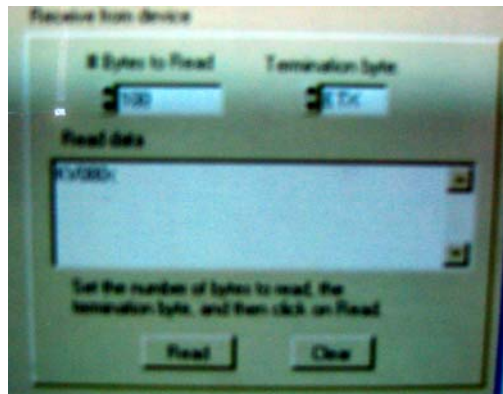
OPEN SERIAL PROGRAM



Select the right COM port for 19200,N,8,1
Then press CLOSE



Type KV? In uppercase



And get the reply

The same with "Omer" program

DOCUMENTO		FOGLIO
NOMEFILE		2
Errore. Nome della proprietà del documento sconosciuto. EEN-024 SERIAL COMMUNICATION TIPS.doc		di 2